



Model: See Affected Top Drives

Serial #: N/A

Aug. 7, 2020

Product Bulletin # TDS-223 v 1.0

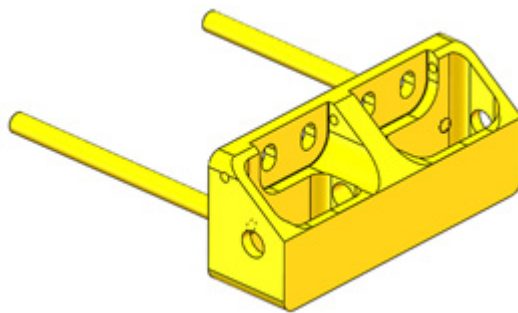
Alert



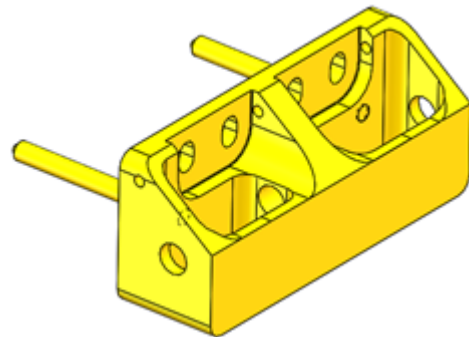
CDS Anti-Rotation Bracket

Background

When the Tesco CDS tool is used with a Canrig top drive, a mounting plate (Canrig P/N: DT24187 for urethane stabbing bell and Canrig P/N: DT24188 for steel stabbing bell) is installed on the Back-Up Wrench (BUW) gripper body to allow the installation of the Anti-rotation Bracket Kit (Canrig P/N: AY23650).



**Mounting Plate – P/N: DT24187
For Urethane Stabbing Bell**



**Mounting Plate – P/N: DT24188
For Steel Stabbing Bell**

Figure 1: Mounting plates

Issue

- The mounting plate (Canrig P/N: DT24187 or DT24188) is not intended to remain on the top drive when operating without the Tesco CDS tool.
- The mounting plate is a relatively large piece that is vulnerable to being struck by drill pipe when the top drive is lowered onto a stand of pipe (see Figure 2 on page 2). It has a greater potential of becoming a dropped object than the retainer plate that it replaced (See Recommended Action 1 on page 2).



Model: See Affected Top Drives	Aug. 7, 2020
Serial #: N/A	
Alert	



Figure 2: Mounting plate (Canrig P/N: DT24188) installed on top drive

Affected Top Drives

All Canrig top drives that utilize the anti-rotation bracket kit (Canrig P/N: AY23650) to integrate the Tesco CDS tool.

Recommended Action

1. When operating the Canrig top drive without the Tesco CDS tool, remove the mounting plate (Canrig P/N: DT24187 or Canrig P/N: DT24188) and replace with the retainer plate intended to work with the specific stabbing bell as shown in Figure 3.

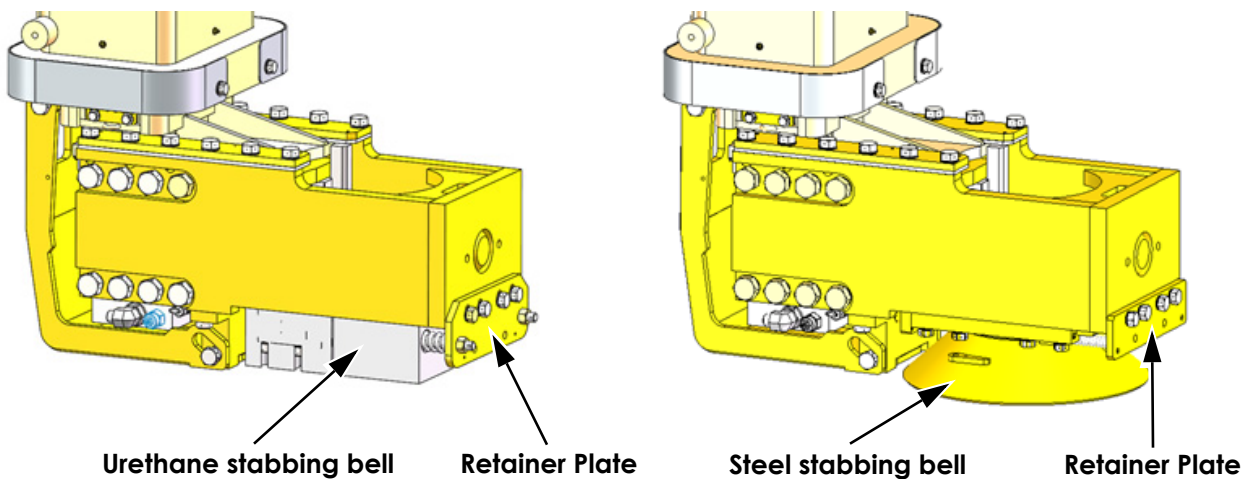


Figure 3: Back-Up wrench gripper with retainer plate



Model: See Affected Top Drives	Aug. 7, 2020
Serial #: N/A	
Alert	

2. Ensure fasteners are clean and free of debris. If the fasteners are worn or damaged then replace with new fasteners.
3. When installing the retainer plate, use Nord-Lock washers (Canrig P/N: LW-0625-NL, Qty 4) and Loctite 242 or equivalent thread locker. Torque the bolts (Canrig P/N: HH-0625NF-0150-GR8-W, Qty 4) to 198 ft-lbs.
4. Install safety securement to the bolts using the 1/16" wire rope (Canrig P/N: M21-2000-010) and 1/16" ferrules (Canrig P/N: M19-3006-010) as shown in Figure 4.

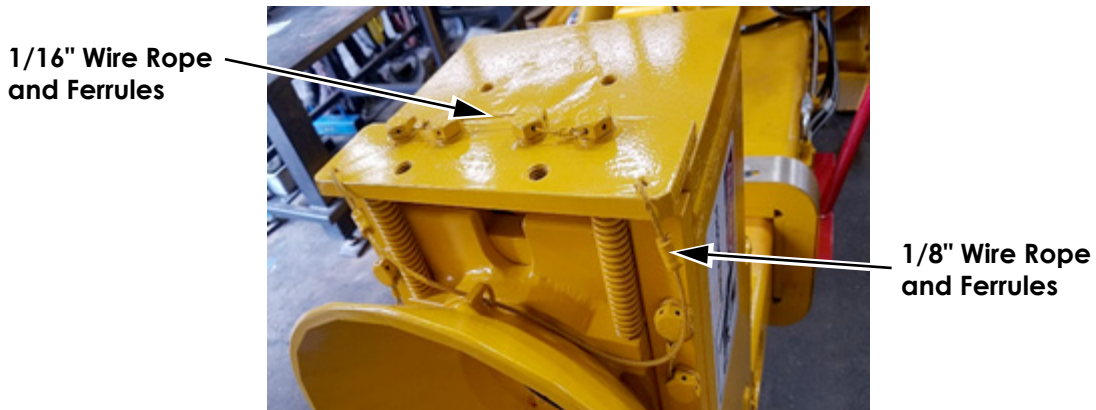


Figure 4: Safety securement

5. Attach the retainer plate to the steel stabbing bell with the 1/8" wire rope and 1/8" ferrules as shown in Figure 4.
6. Only install the mounting plate (Canrig P/N: DT24187 or Canrig P/N: DT24188) when using the CDS tool. Install the mounting plate using the Nord-Lock washer (Canrig P/N: LW-0625-NL, Qty 4), Loctite 242 or equivalent thread locker. Torque the bolts (Canrig P/N: HH-0625NF-0150-GR8-W, Qty 4) to 198 ft-lbs and add safety securement and secondary retention as described in steps 4 and 5.

Contact RIGLINE 24/7™ for additional information.