



Back-Up Wrench Foot Stop Plate

Issue

The foot stop plate is used to limit the travel of the Back-Up Wrench (BUW) hydraulic cylinder assembly. The foot stop plate may develop cracks or other damage along the ears which could create a potential for dropped objects.

Recommendation

Visually inspect the area where the foot stop plate is located. See Figure 1.

- For 500T Top drives, Foot stop plate P/N: DT11487.
- For 750T Top drives, Foot stop plate P/N: DT11920.

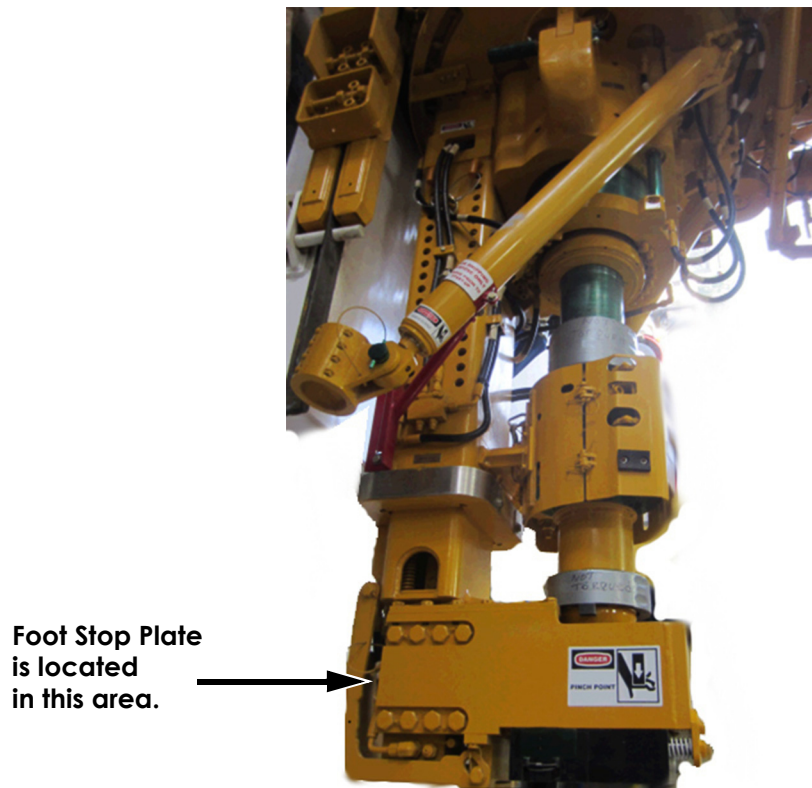


Figure 1: Foot stop plate location

Alert

Procedure

1. Remove back-up wrench guard.
2. Remove foot stop plate.

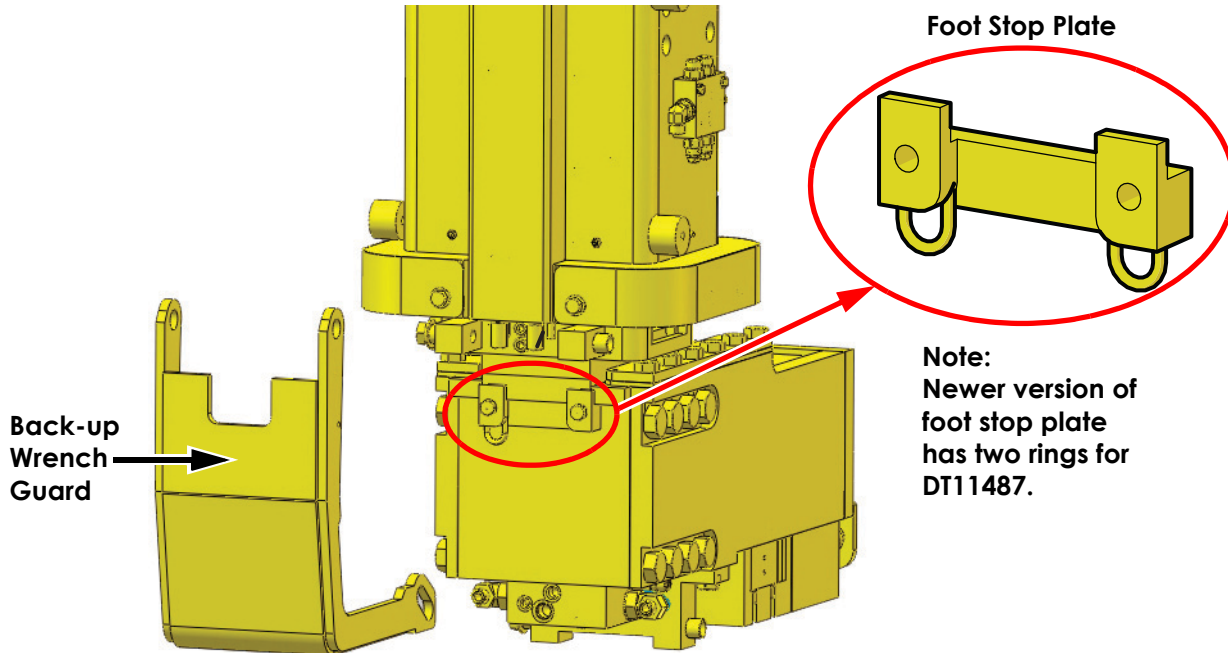


Figure 2: Back-up wrench guard removed

3. Inspect the foot stop plate ears for cracks or damage. See Figure 3 below.

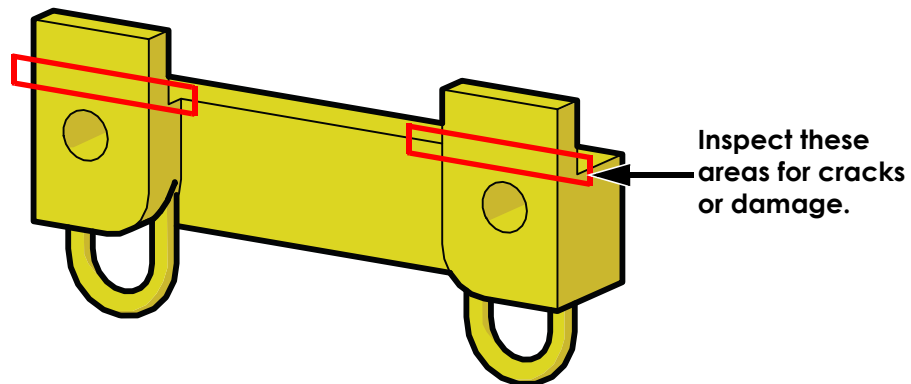


Figure 3: Foot stop plate



Model: 500T/750T Top Drives	May. 16, 2016
Serial #: All	
Alert	

Action Needed

If cracks or damage are found on the foot stop plate contact RigLine 24/7™ Support to order the part and replace it immediately.